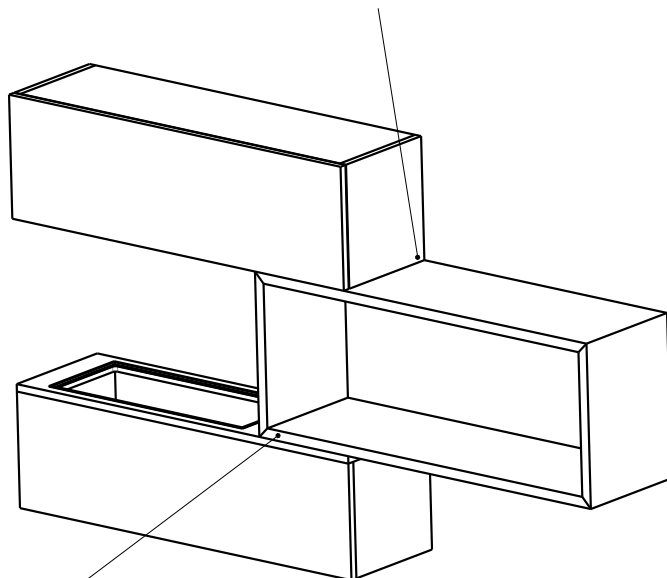


Middle and Upper Unit connected by screws/bolts which can only be seen when upper unit door is opened, the screw/bolt heads should finish flush with the bottom of the upper unit and also have a white cap to further disguise the fitting



Middle and lower unit connected by screws/bolts which are hidden inside the lower unit  
Screw/Bolts to be advised by Manufacturer

SCALE 0.100